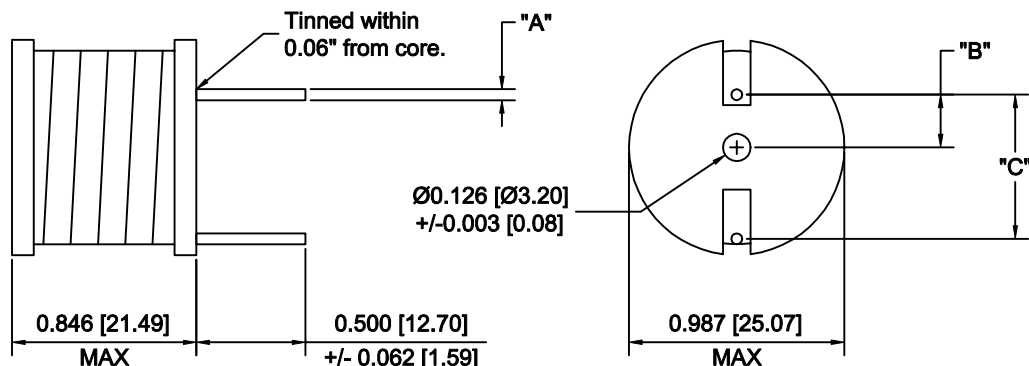


- Broad range of inductance values; 0.8-1000 $\mu$ H.
- Very stable inductance over current range.
- From low to high currents; 0.1 – 30 Amps.
- Class B (130°C) insulation system.
- Small PCB space, in 5 standard sizes.
- Other sizes and values are available.



Size 3													
MODEL NUMBER	INDUCTANCE AT RATED CURRENT ( $\mu$ H) +/-10%	RATED CURRENT (A)	MAXIMUM DCR @ 25°C (Ohm)	LEAD WIRE "A" (AWG)	DIMENSION		MODEL NUMBER	INDUCTANCE AT RATED CURRENT ( $\mu$ H) +/-10%	RATED CURRENT (A)	MAXIMUM DCR @ 25°C (Ohm)	LEAD WIRE "A" (AWG)	DIMENSION	
					"B" (IN)	"C" (IN)						"B" (IN)	"C" (IN)
423-0141	500.0	1.0	0.280	22	.270	.680	423-0236	16.0	15.0	0.0100	15	.284	.632
423-0150	130.0	1.5	0.800	20	.273	.652	423-0237	18.5	15.0	0.0106	15	.284	.748
423-0151	160.0	1.5	0.900	20	.273	.652	423-0238	21.0	15.0	0.0113	15	.284	.748
423-0152	220.0	1.5	0.100	20	.273	.722	423-0253	8.0	20.0	0.0057	14	.290	.647
423-0153	330.0	1.5	0.130	20	.273	.722	423-0254	9.7	20.0	0.0062	14	.290	.647
423-0191	76.0	5.0	0.044	18	.278	.685	423-0270	5.0	25.0	0.0034	13	.294	.663
423-0192	87.0	5.0	0.047	18	.278	.685	423-0271	6.4	25.0	0.0038	13	.294	.663
423-0193	100.0	5.0	0.050	18	.278	.685	423-0272	8.0	25.0	0.0045	13	.294	.663
423-0204	66.0	7.5	0.040	18	.278	.685	423-0282	2.7	30.0	0.0020	12	.298	.680
423-0218	21.0	10.0	0.014	16	.284	.619	423-0283	3.7	30.0	0.0024	12	.298	.680
423-0219	27.0	10.0	0.160	16	.284	.727	423-0284	5.0	30.0	0.0027	12	.298	.680
423-0220	33.0	10.0	0.018	16	.284	.727	423-0285	6.4	30.0	0.0030	12	.298	.680
423-0221	40.0	10.0	0.020	16	.284	.727	423-0286	8.0	30.0	0.0034	12	.298	.680
423-0222	49.0	10.0	0.022	16	.284	.727							

- Measured criteria: 1V / 15 KHz.