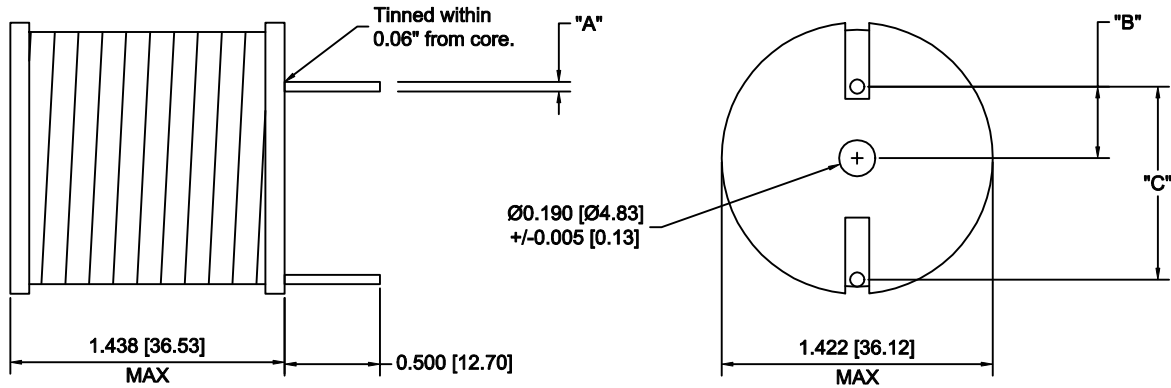


- Broad range of inductance values; 0.8-1000uH.
- From low to high currents; 0.1 – 30 Amps.
- Small PCB space, in 5 standard sizes.
- Very stable inductance over current range.
- Class B (130°C) insulation system.
- Other sizes and values are available.



Size 5													
MODEL NUMBER	INDUCTANCE AT RATED CURRENT ( $\mu\text{H}$ ) $\pm 10\%$	RATED CURRENT (A)	MAXIMUM DCR @ 25°C (Ohm)	LEAD WIRE "A" (AWG)	DIMENSION		MODEL NUMBER	INDUCTANCE AT RATED CURRENT ( $\mu\text{H}$ ) $\pm 10\%$	RATED CURRENT (A)	MAXIMUM DCR @ 25°C (Ohm)	LEAD WIRE "A" (AWG)	DIMENSION	
					"B" (IN)	"C" (IN)						"B" (IN)	"C" (IN)
423-0244	83.0	15.0	0.0180	13	.450	1.200	423-0276	26.4	25.0	0.0064	11	0.459	1.011
423-0245	100.0	15.0	0.0200	13	.450	1.200	423-0277	33.7	25.0	0.0072	11	0.459	1.011
423-0262	56.0	20.0	0.0120	12	.454	0.992	423-0278	46.2	25.0	0.0084	11	0.459	1.200
423-0263	66.0	20.0	0.0130	12	.454	1.160	423-0290	30.0	30.0	0.0068	11	0.459	1.011
423-0264	77.0	20.0	0.0140	12	.454	1.160	423-0291	37.6	30.0	0.0076	11	0.459	1.011

- Measured criteria: 1V / 15 KHz.