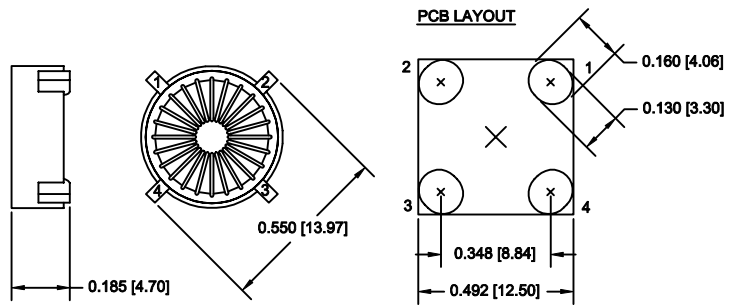


- 518 series utilizes an iron powder core; ideal for frequency applications up to 100 kHz.
- 618 series utilizes a Kool Mu<sup>®</sup> core; minimizing core losses and temperature rise at higher frequencies of 100-250 kHz.
- Tape and reel packaging.
- Listed are standard designs. Custom designs are available in this package.



### 518 Series Toroids With Iron Powder Cores and 03 Case Size

MODEL NUMBER	PARALLEL				SERIES				CIRCUIT DIAGRAM
	OPEN CIRCUIT INDUCTANCE +/-20% $\mu$ H	MINIMUM FULL LOAD INDUCTANCE $\mu$ H	FULL LOAD CURRENT A dc	MAXIMUM DC RESISTANCE Ohms	OPEN CIRCUIT INDUCTANCE +/-20% $\mu$ H	MINIMUM FULL LOAD INDUCTANCE $\mu$ H	FULL LOAD CURRENT A dc	MAXIMUM DC RESISTANCE Ohms	
518-R47M-03	0.54	0.37	6.20	0.007	2.19	1.48	3.10	0.024	
518-R68M-03	0.71	0.49	4.70	0.008	2.86	1.98	2.85	0.028	
518-1R0M-03	1.12	0.71	5.40	0.009	4.48	2.85	2.70	0.034	
518-2R0M-03	1.89	1.23	4.60	0.012	7.57	4.92	2.30	0.044	
518-5R0M-03	5.42	3.18	3.20	0.023	21.60	12.70	1.60	0.090	
518-8R0M-03	8.70	4.90	2.80	0.031	34.80	19.60	1.40	0.120	
518-100M-03	10.76	5.80	2.70	0.033	43.00	23.20	1.35	0.132	
518-150M-03	16.17	8.72	2.20	0.050	64.68	34.80	1.10	0.198	
518-200M-03	20.70	13.24	1.50	0.111	82.80	52.95	0.75	0.442	
518-250M-03	26.82	16.10	1.40	0.125	107.50	64.60	0.70	0.498	
518-330M-03	35.12	20.30	1.30	0.143	140.49	81.22	0.65	0.570	
518-500M-03	51.78	33.10	0.92	0.277	207.10	132.40	0.46	1.108	
518-680M-03	73.48	44.08	0.84	0.328	293.93	176.32	0.42	1.314	
518-101M-03	109.77	65.86	0.68	0.502	439.08	263.45	0.32	2.005	
518-151M-03	158.60	90.66	0.64	0.624	634.40	363.52	0.32	2.486	
518-201M-03	216.39	116.80	0.60	0.735	865.50	467.20	0.30	2.930	
518-301M-03	319.80	172.70	0.50	1.200	1276.00	690.80	0.25	4.850	

### 618 Series Toroids With Kool Mu<sup>®</sup> Cores and 03 Case Size

MODEL NUMBER	PARALLEL				SERIES				CIRCUIT DIAGRAM
	OPEN CIRCUIT INDUCTANCE +/-20% $\mu$ H	MINIMUM FULL LOAD INDUCTANCE $\mu$ H	FULL LOAD CURRENT A dc	MAXIMUM DC RESISTANCE Ohms	OPEN CIRCUIT INDUCTANCE +/-20% $\mu$ H	MINIMUM FULL LOAD INDUCTANCE $\mu$ H	FULL LOAD CURRENT A dc	MAXIMUM DC RESISTANCE Ohms	
618-R47M-03	0.40	0.28	6.00	0.006	1.60	1.12	3.00	0.21	SAME AS ABOVE
618-R68M-03	0.63	0.43	5.00	0.006	2.50	1.72	2.50	0.024	
618-1R0M-03	0.90	0.58	4.80	0.007	3.60	2.32	2.40	0.028	
618-2R0M-03	2.00	1.08	4.70	0.010	8.00	4.32	2.35	0.040	
618-5R0M-03	4.90	2.60	3.00	0.020	19.60	10.40	1.50	0.078	
618-8R0M-03	8.10	3.89	2.80	0.025	32.40	15.55	1.40	0.100	
618-100M-03	10.00	4.55	2.70	0.029	40.00	18.20	1.35	0.114	
618-150M-03	15.63	7.50	2.00	0.043	62.50	30.00	1.00	0.172	
618-200M-03	19.60	10.45	1.50	0.077	78.40	41.80	0.75	0.310	
618-250M-03	25.60	16.28	0.98	0.086	102.40	65.12	0.49	0.344	
618-330M-03	32.40	19.41	0.96	0.083	129.60	77.64	0.48	0.332	
618-500M-03	50.63	27.09	0.94	0.241	202.52	108.36	0.47	0.960	
618-680M-03	67.60	36.62	0.80	0.275	270.40	146.48	0.40	1.100	
618-101M-03	99.23	51.36	0.70	0.348	396.92	205.44	0.35	1.392	
618-151M-03	152.10	98.66	0.38	0.430	608.40	394.64	0.19	1.720	
618-201M-03	202.50	121.43	0.39	0.620	810.00	485.70	0.20	2.480	
618-301M-03	302.50	158.19	0.40	0.950	1210.00	632.70	0.20	3.800	

Kool Mu<sup>®</sup> is a registered trade mark of Magnetics, Inc.