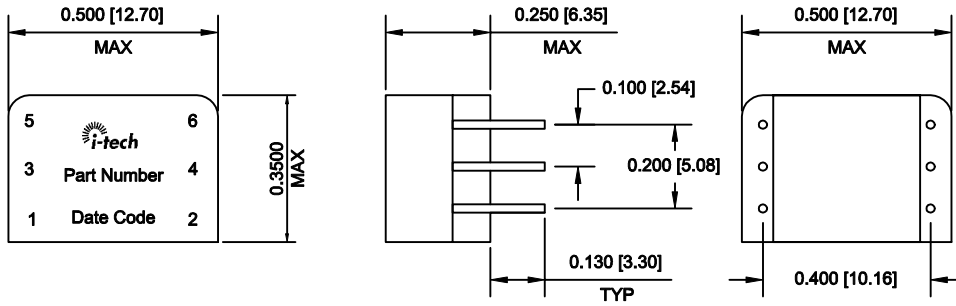


- Normal temperature range: 0°C to 70°C.
- Extended temperature range: -40°C to 85°C.
- Provides 1500Vrms isolation.
- Designed to match the leading transceiver chips.
- Through hole mounting.

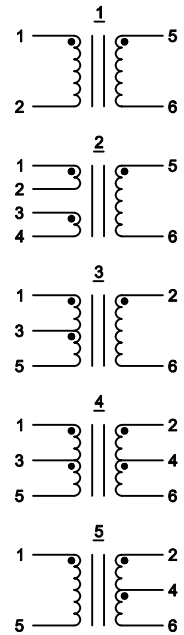


Unused pins are not provided.  
Leads are Solderable 24AWG  
Tolerance +/- 0.010 (0.25)

## Normal Temperature Range

Model number	Turns ratio P:S +/-5%	OCL@25C mH, Min *	L <sub>L</sub> uH Max	C <sub>w/w</sub> pF, Max	DCR Pri Ohm, Max	DCR Sec. Ohm, Max	Schematic	Primary pins
318-3000	1:1:1 (2CT)	1.25	0.50	20	0.65	0.65&0.65	2	1-2
318-3001	1CT:3CT	1.25	0.50	35	0.65	1.55	4	1-5
318-3002	1:1	1.25	0.50	20	0.65	0.65	1	1-2
318-3003	1CT:1	1.25	0.80	20	0.65	0.65	3	1-5
318-3004	1:1.36	1.25	0.80	30	0.65	0.75	1	5-6
318-3005	1:1:1.58	0.30	0.60	25	0.40 / 0.40	0.60	2	1-4 (2,3 sh.)
318-3006	1:1:2	0.80	0.60	25	0.40 / 0.40	0.60	2	1-4 (2,3 sh.)
318-3007	1:1:2.62	0.80	0.40	25	0.40 / 0.40	0.60	2	1-4 (2,3 sh.)
318-3008	1CT:2CT	1.25	0.55	25	0.65	1.20	4	1-5
318-3009	1:2CT	1.25	0.50	35	0.65	1.20	3	2-6
318-3010	1:2CT	2.00	0.50	35	0.65	1.40	3	2-6
318-3011	1:4CT	0.50	1.00	35	0.45	1.50	5	1-5
318-3012	1:1.14CT	1.25	0.80	30	0.65	0.80	5	1-5
318-3013	1:1.15CT	1.50	0.60	30	0.65	0.90	3	2-6
318-3014	1:1:1.27	1.50	0.40	30	0.65	0.90	3	2-6
318-3015	1CT:2CT	1.25	0.55	25	0.65	1.20	4	1-5
318-3016	1:2.3CT	1.25	0.80	30	0.65	1.20	5	1-5
318-3017	1:1.36CT	1.25	0.80	30	0.64	0.90	5	1-5
318-3018	1CT:1CT	1.25	0.80	30	0.75	0.80	4	1-5

### SCHEMATICS



## Extended Temperature Range

Model number	Turns ratio P:S +/-5%	OCL@25C mH, Min *	L <sub>L</sub> uH Max	C <sub>w/w</sub> pF, Max	DCR Pri Ohm, Max	DCR Sec. Ohm, Max	Schematic	Primary pins
318-3020	1:1.36	1.25	0.80	30	0.85	1.25	1	5-6
318-3021	1:1.15CT	1.50	0.80	35	0.85	1.00	3	2-6
318-3022	1CT:2CT	1.25	0.60	40	1.00	2.00	4	2-6
318-3023	1CT:1CT	1.25	1.10	45	1.00	1.00	4	1-5

- Measured criteria: 0.1V / 10 KHz.